

# *F.P. Engineering*

*9 Allée beau site*

*69410 Champagne au mont d'Or*

*Tel: 00 33 4 78 47 55 77*

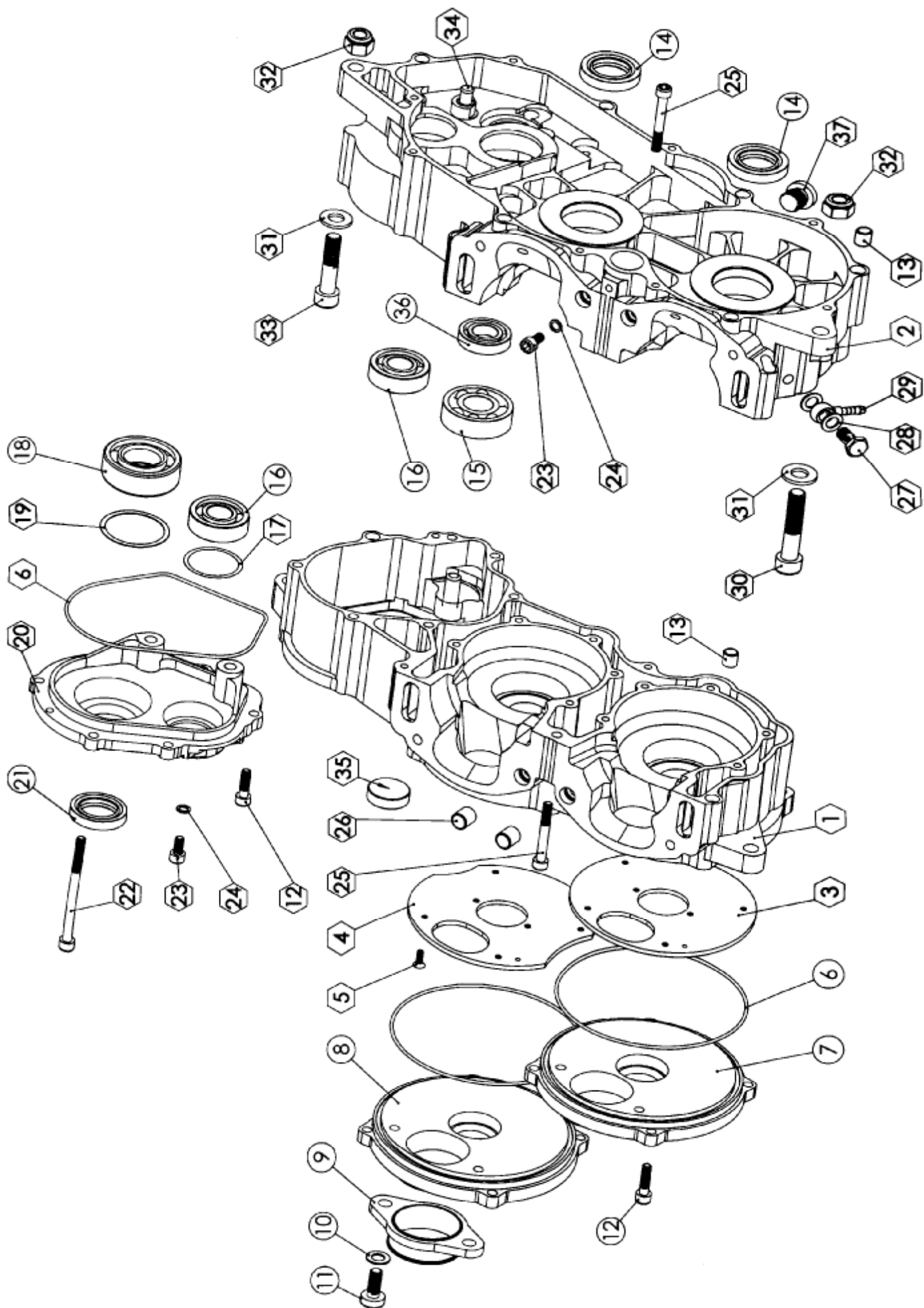
*Fax: 00 33 4 72 17 81 72*

*E-mail: f.p.e@wanadoo.fr*

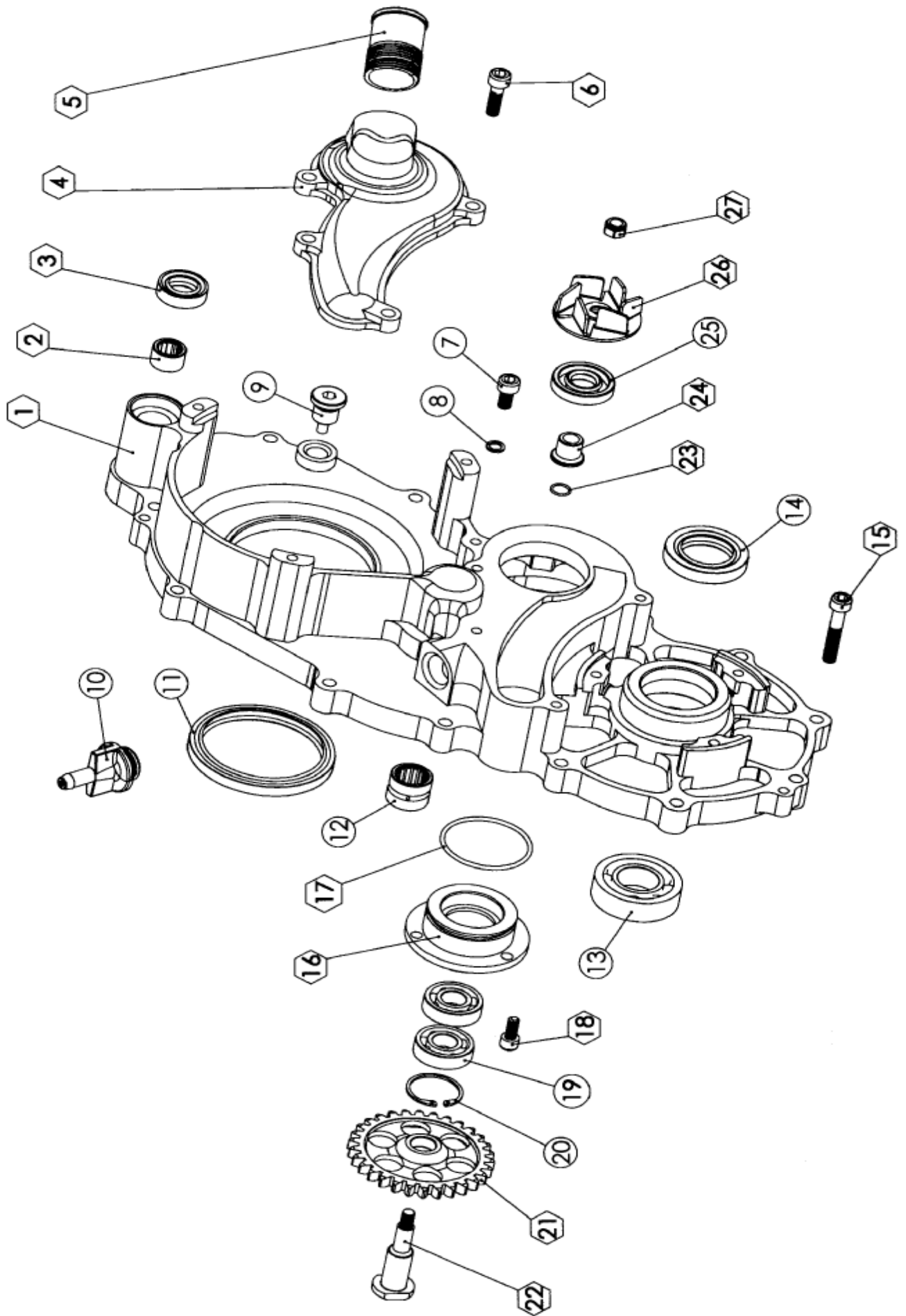


## *FPE TR250/2002 Spare parts - Prices*

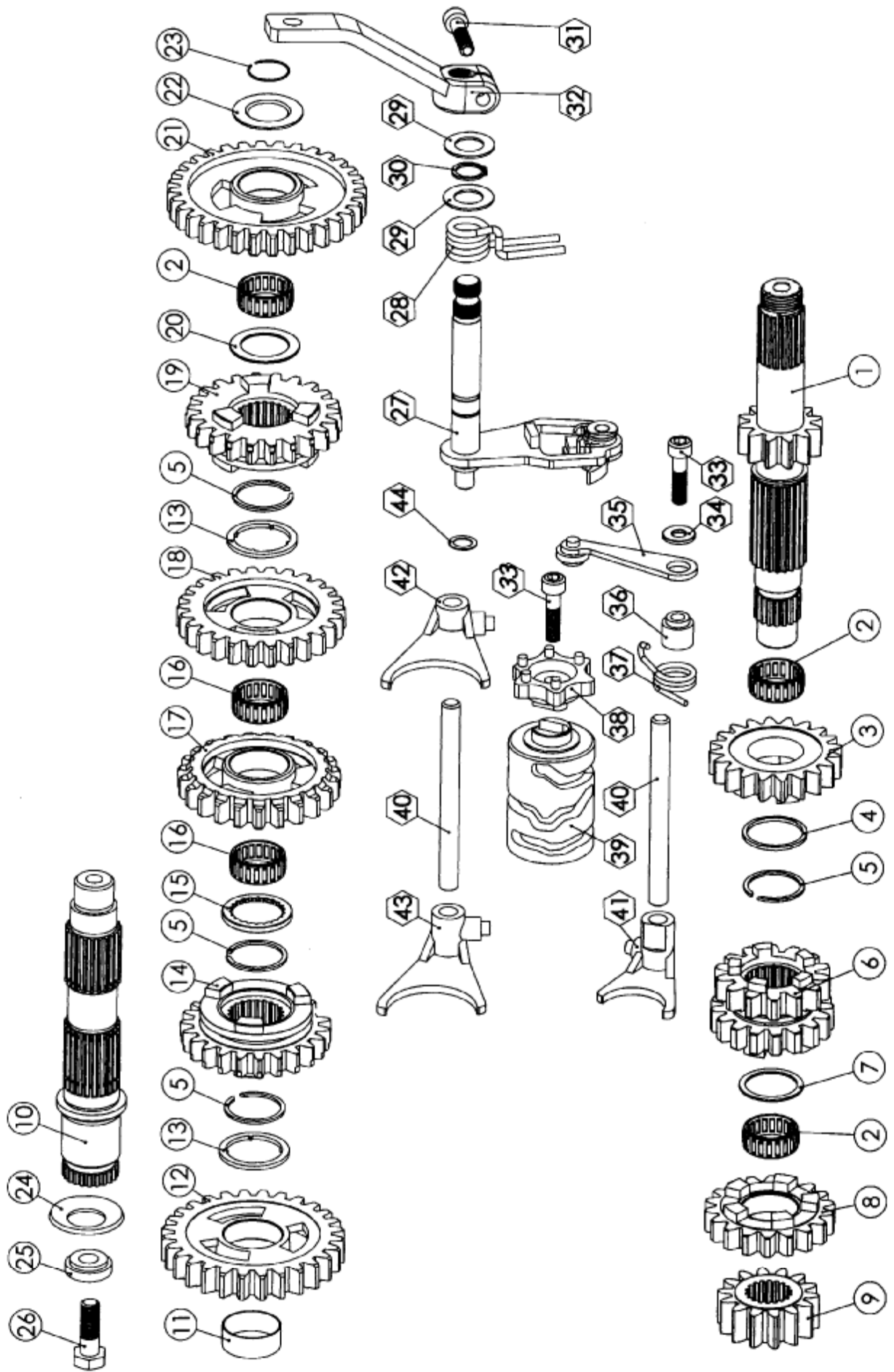
Price list September 2006  
(Unit prices in Euros without VAT)



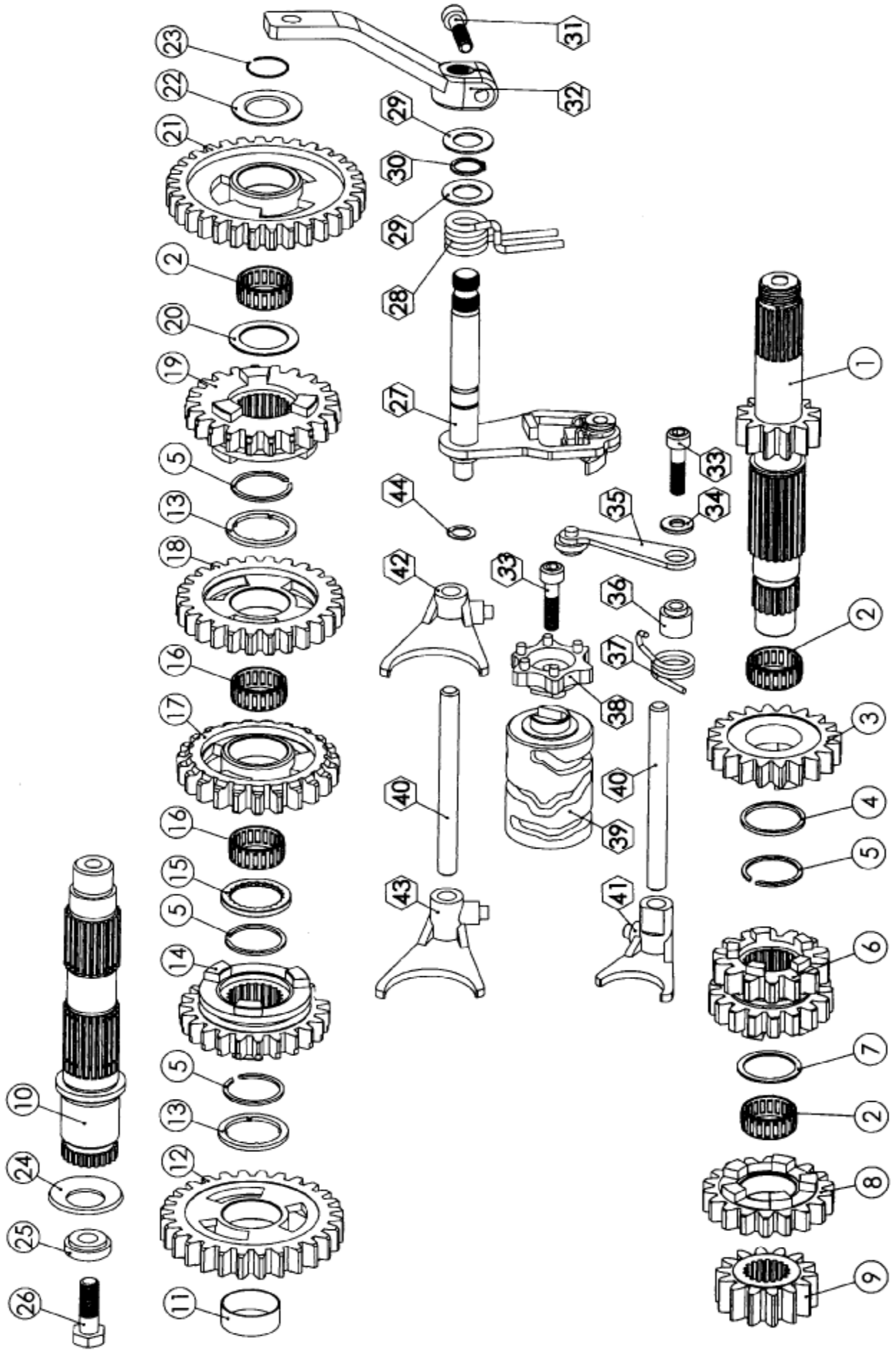
| REFERENCE | DESCRIPTION                             | FIG. | PRICE / no VAT | Qté | ORDER |
|-----------|---|------|----------------|-----|-------|
| 250101    | Crankcase admission side                | 1    | 1 159,00 €     | 1   |       |
| 250102    | Crankcase tandem side                   | 2    | 1 343,00 €     | 1   |       |
| 250103    | Disk valve plate for front valve        | 3    | 13,12 €        | 1   |       |
| 250104    | Disk valve plate for rear valve         | 4    | 13,12 €        | 1   |       |
| 250105    | Allen screw FHc M4/10                   | 5    | 0,09 €         | 12  |       |
| 250106    | O-ring Ø114/2                           | 6    | 2,16 €         | 3   |       |
| 210462    | Disk valve cover for front valve        | 7    | 272,61 €       | 1   |       |
| 210466    | Disk valve cover for rear valve         | 8    | 255,00 €       | 1   |       |
| 824036    | Rub flange                              | 9    | 38,88 €        | 2   |       |
| 250108    | Washer M 8 N                            | 10   | 0,12 €         | 4   |       |
| 440091    | Allen scew M8/20 DIN 7984               | 11   | 3,87 €         | 4   |       |
| 250109    | Allen scew M6/20                        | 12   | 0,09 €         | 9   |       |
| 229145    | Dowel Ø9,8/10                           | 13   | 3,16 €         | 8   |       |
| 230395    | Oil seal Ø25/40/7                       | 14   | 6,75 €         | 2   |       |
| 250110    | Ball bearing 6204 TVH C3                | 15   | 6,12 €         | 1   |       |
| 250111    | Ball bearing 6203 TVH C3                | 16   | 12,00 €        | 2   |       |
| 250112    | Shim Ø34/39,5/0,5                       | 17   | 0,99 €         | 1   |       |
| 250113    | Ball bearing 6205 C3                    | 18   | 7,70 €         | 1   |       |
| 250114    | Shim Ø40/51/0,5                         | 19   | 1,35 €         | 1   |       |
| 250115    | Gear box cover                          | 20   | 261,32 €       | 1   |       |
| 250116    | Oil seal Ø25/38/7                       | 21   | 3,70 €         | 1   |       |
| 250117    | Allen screw M6/80                       | 22   | 0,18 €         | 5   |       |
| 250118    | Allen screw M6/12                       | 23   | 0,15 €         | 2   |       |
| 250119    | Copper washer Ø6,2/8,9/1                | 24   | 0,30 €         | 2   |       |
| 250120    | Allen screw M6/45                       | 25   | 0,12 €         | 16  |       |
| 250121    | Dowel JR9-12-12                         | 26   | 4,00 €         | 4   |       |
| 250122    | Connection screw M8                     | 27   | 4,86 €         | 1   |       |
| 250123    | Copper washer Ø8,3/13,9/1               | 28   | 0,36 €         | 2   |       |
| 250124    | Adapter                                 | 29   | 2,74 €         | 1   |       |
| 250125    | Allen screw M10/50                      | 30   | 0,60 €         | 2   |       |
| 250126    | Washer M 10 N                           | 31   | 0,09 €         | 4   |       |
| 250127    | Lock nut M10                            | 32   | 0,15 €         | 4   |       |
| 250128    | Allen screw M10/40                      | 33   | 0,48 €         | 2   |       |
| 250129    | Pin                                     | 34   | 18,56 €        | 1   |       |
| 250130    | Window                                  | 35   | 7,60 €         | 1   |       |
| 250131    | Ball bearing 16003                      | 36   | 6,00 €         | 1   |       |
| 250132    | Stainless water drain plug              | 37   | 16,50 €        | 1   |       |
|           |   |      |                |     |       |
|           |   |      |                |     |       |
|           | <b>OPTIONS</b>                          |      |                |     |       |
| 250103C   | Disk valve plate for front carbon valve | 3C   | 142,80 €       | 1   |       |
| 250104C   | Disk valve plate for rear carbon valve  | 4C   | 142,80 €       | 1   |       |
| 210462C   | Disk valve cover for front carbon valve | 7C   | 241,98 €       | 1   |       |
| 210466C   | Disk valve cover for rear carbon valve  | 8C   | 241,98 €       | 1   |       |



| REFERENCE | DESCRIPTION              | FIG. | PRICE / no VAT | Qty. | ORDER |
|-----------|--------------------------|------|----------------|------|-------|
| 250201    | Primary drive cover      | 1    | 840,12 €       | 1    |       |
| 250202    | Needle bushing HK 1210 B | 2    | 6,00 €         | 1    |       |
| 250203    | Oil seal Ø12/22/7        | 3    | 6,40 €         | 1    |       |
| 250205    | Water pump cover         | 4    | 115,58 €       | 1    |       |
| 250206    | Tube                     | 5    | 25,00 €        | 1    |       |
| 250109    | Allen screw M6/20        | 6    | 0,09 €         | 4    |       |
| 250118    | Allen screw M6/12        | 7    | 0,15 €         | 1    |       |
| 250119    | Copper washer Ø6,2/8,9/1 | 8    | 0,15 €         | 1    |       |
| 241783    | Magnetic drain plug      | 9    | 10,08 €        | 1    |       |
| 241925    | Air vent screw           | 10   | 2,88 €         | 1    |       |
| 230790    | Oil seal Ø58/70/6        | 11   | 14,60 €        | 1    |       |
| 250217    | Needle bearing NK 15/16  | 12   | 15,10 €        | 1    |       |
| 250215    | Ball bearing 6004 TNH C4 | 13   | 4,10 €         | 1    |       |
| 930265    | Oil seal Ø20/35/7        | 14   | 13,92 €        | 1    |       |
| 250213    | Allen screw M6/35        | 15   | 0,15 €         | 14   |       |
| 250204    | Water pump housing       | 16   | 49,00 €        | 1    |       |
| 250218    | O-ring Ø 40/2            | 17   | 0,96 €         | 1    |       |
| 250219    | Allen screw M5/12        | 18   | 0,12 €         | 3    |       |
| 250212    | Ball bearing 6001        | 19   | 3,46 €         | 2    |       |
| 250216    | Retaining ring I28       | 20   | 0,18 €         | 1    |       |
| 250221    | Water pump gear          | 21   | 72,76 €        | 1    |       |
| 250220    | Pump shaft               | 22   | 39,95 €        | 1    |       |
| 250222    | O-ring Ø 7/1             | 23   | 0,09 €         | 1    |       |
| 250223    | Spacer                   | 24   | 27,20 €        | 1    |       |
| 831740    | Oil seal Ø12/30/6        | 25   | 7,92 €         | 1    |       |
| 250219    | Impeller                 | 26   | 23,20 €        | 1    |       |
| 250207    | Lock nut M6              | 27   | 0,15 €         | 1    |       |

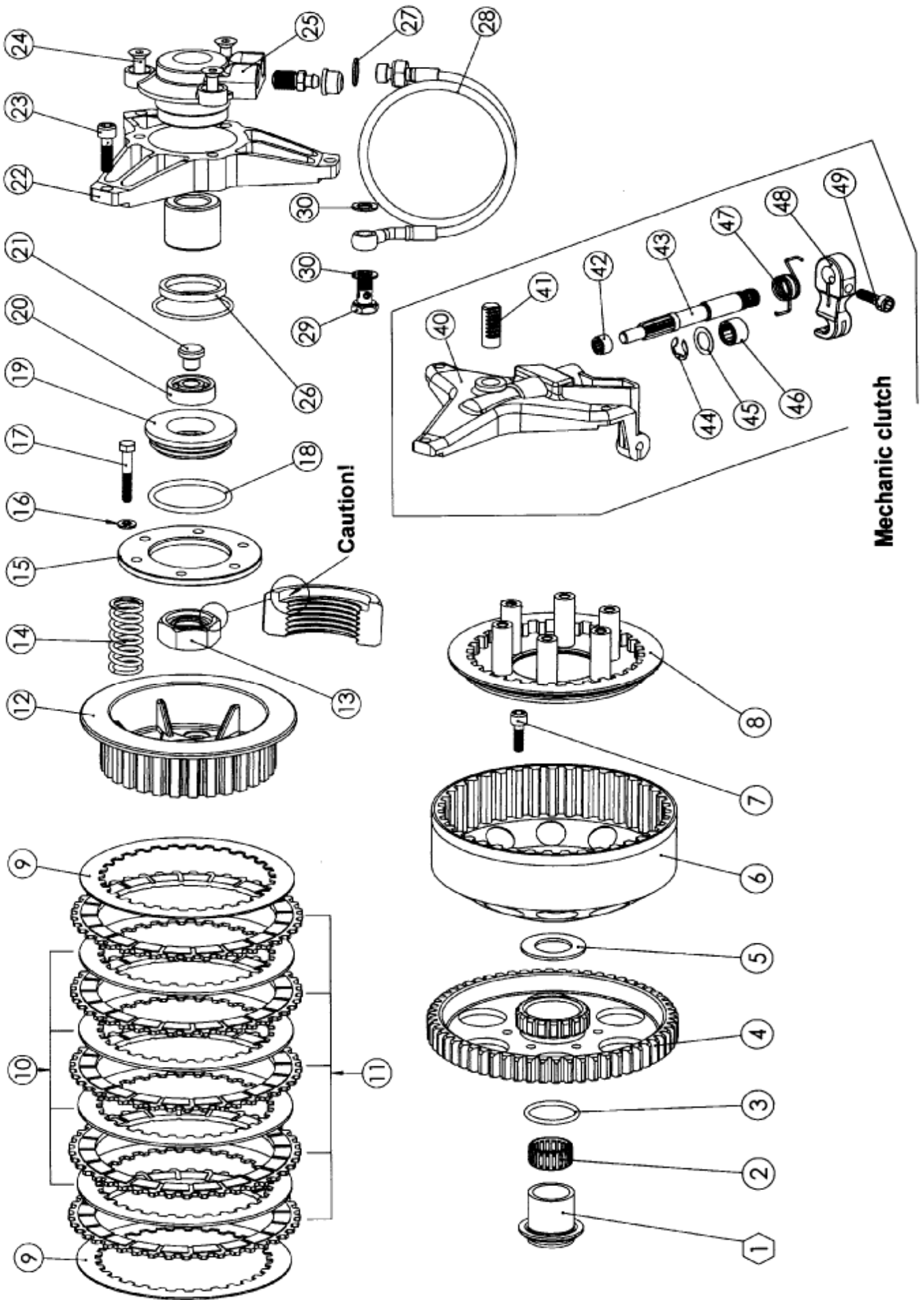


| REFERENCE | DESCRIPTION                      | FIG. | PRICE / no VAT | Qty. | ORDER |
|-----------|----------------------------------|------|----------------|------|-------|
| 237479    | Clutch shaft 14 t. Std.          | 1    | 154,33 €       | 1    |       |
| 237462    | Clutch shaft 13 t. option        | 1    | 151,45 €       | 1    |       |
| 232662    | Needle bearing Ø20/24/10         | 2    | 7,80 €         | 3    |       |
| 235961/62 | Free pinion 6th speed Std        | 3    | 75,55 €        | 1    |       |
| 235960/66 | Free pinion 6th speed option     | 3    | 61,37 €        | 1    |       |
| 235124    | Free pinion 6th speed option     | 3    | 112,30 €       | 1    |       |
| 227470    | Thrust washer Ø24,2/27,5/1,5     | 4    | 1,02 €         | 1    |       |
| 245340    | Snapping                         | 5    | 1,32 €         | 4    |       |
| 235160/61 | Gear pinion 3rd/4th speed Std    | 6    | 128,35 €       | 1    |       |
| 235164    | Gear pinion 3rd/4th speed option | 6    | 120,33 €       | 1    |       |
| 235166/67 | Gear pinion 3rd/4th speed option | 6    | 123,73 €       | 1    |       |
| 235910    | Gear pinion 3rd/4th speed option | 6    | 112,66 €       | 1    |       |
| 227440    | Thrust washer Ø20,2/27,5/1       | 7    | 0,86 €         | 1    |       |
| 235940    | Free pinion 5 th speed Std       | 8    | 75,58 €        | 1    |       |
| 235305    | Fixed gear 2nd speed Std         | 9    | 58,79 €        | 1    |       |
| 234950    | Fixed gear 2nd speed option      | 9    | 55,34 €        | 1    |       |
| 237597    | Mainshaft                        | 10   | 125,21 €       | 1    |       |
| 233500    | Bush Ø23,8/25/9,8                | 11   | 12,08 €        | 1    |       |
| 235319    | Free pinion 2 nd speed Std       | 12   | 84,76 €        | 1    |       |
| 234964    | Free pinion 2 nd speed option    | 12   | 89,23 €        | 1    |       |
| 234080    | Free pinion 2 nd speed option    | 12   | 84,76 €        | 1    |       |
| 227460    | Thrust washer Ø22/30/1,8         | 13   | 2,22 €         | 2    |       |
| 235954    | Gear pinion 5 th speed           | 14   | 92,12 €        | 1    |       |
| 227490    | Angular ring Ø22/30/2,8          | 15   | 6,80 €         | 1    |       |
| 232742    | Needle bearing Ø21/25/10         | 16   | 6,62 €         | 2    |       |
| 235937/38 | Free pinion 4 th speed Std       | 17   | 92,85 €        | 1    |       |
| 235933/34 | Free pinion 4 th speed           | 17   | 92,55 €        | 1    |       |
| 235924    | Free pinion 3 rd speed Std       | 18   | 83,79 €        | 1    |       |
| 235927/28 | Free pinion 3 rd speed option    | 18   | 89,01 €        | 1    |       |
| 235926    | Free pinion 3 rd speed option    | 18   | 89,52 €        | 1    |       |
| 235972/73 | Shift gear 6 th speed Std        | 19   | 100,98 €       | 1    |       |
| 235974/76 | Shift gear 6 th speed option     | 19   | 98,97 €        | 1    |       |
| 234792    | Shift gear 6 th speed option     | 19   | 154,53 €       | 1    |       |
| 944468    | Thrust washer Ø20,5/30/1         | 20   | 0,76 €         | 1    |       |
| 235252    | Free pinion 1 st speed Std       | 21   | 117,52 €       | 1    |       |
| 234944    | Free pinion 1 st speed option    | 21   | 98,52 €        | 1    |       |
| 227370    | Washer Ø17,2/30/1                | 22   | 3,10 €         | 1    |       |
| 245660    | Securing ring Ø17/0,7            | 23   | 0,87 €         | 1    |       |
| 245760    | Spring washer Ø16,2/32           | 24   | 2,52 €         | 1    |       |
| 247910    | Angular ring                     | 25   | 3,30 €         | 1    |       |
| 250301    | Hexagonal screw M8-25            | 26   | 0,30 €         | 1    |       |

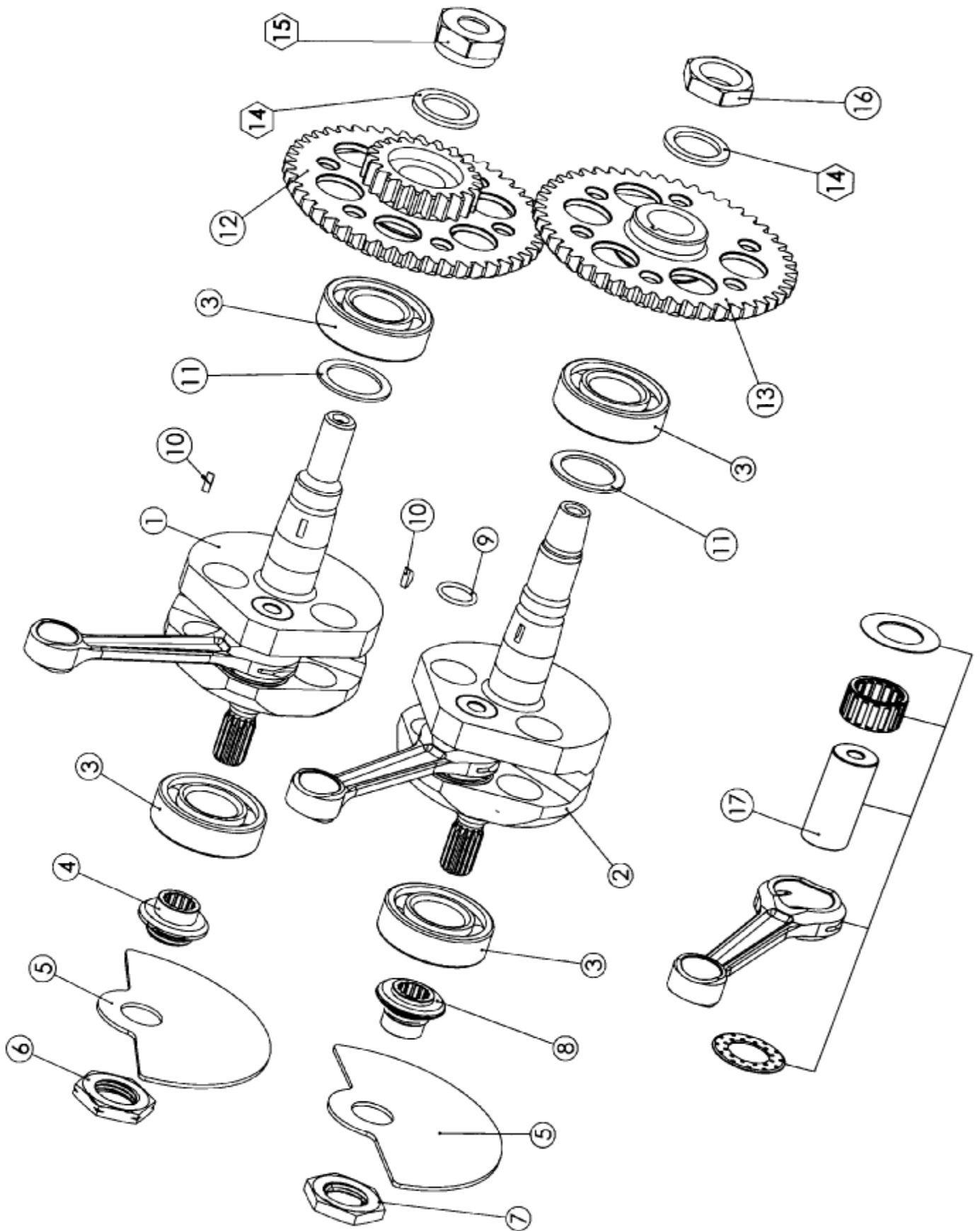




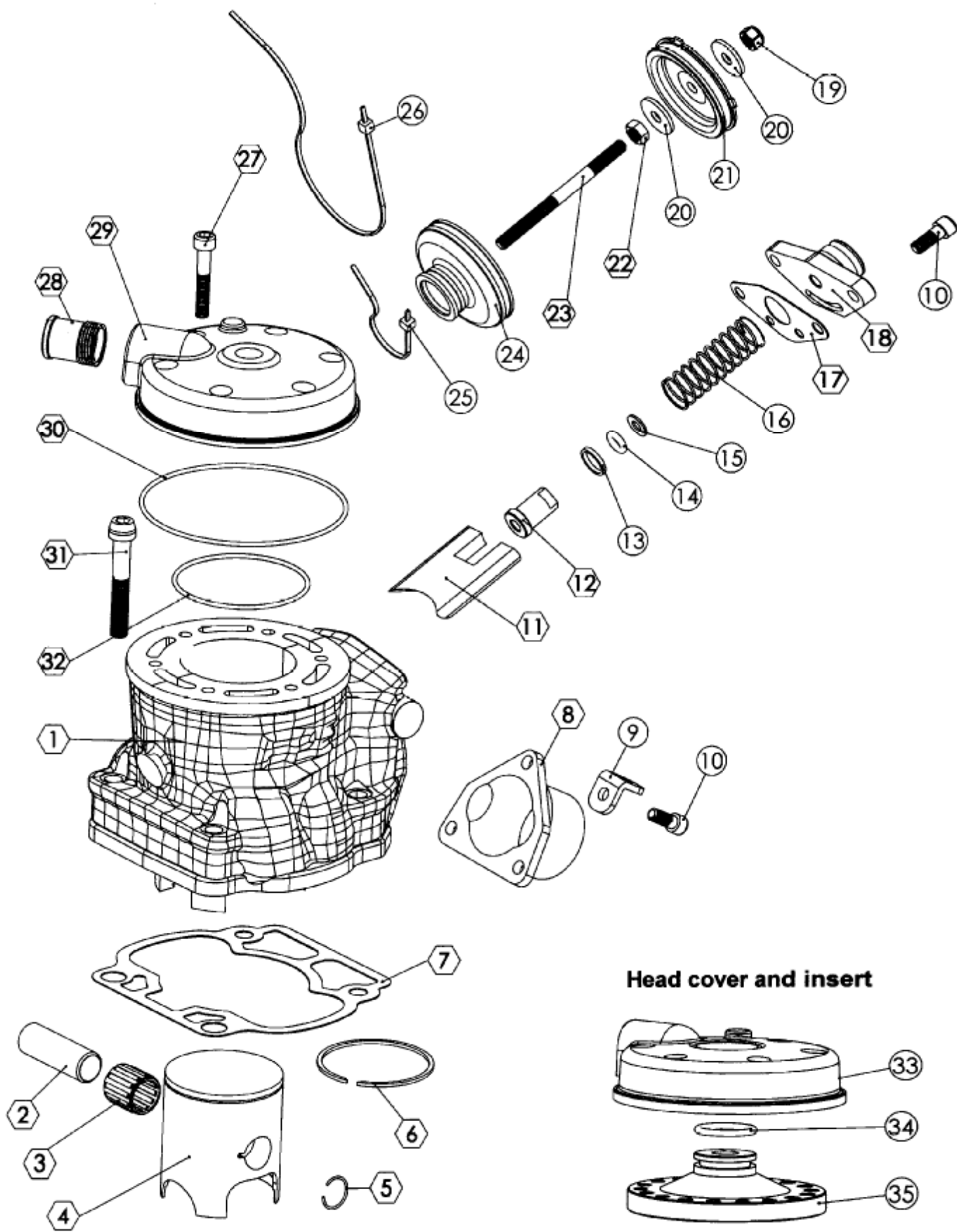
| REFERENCE | DESCRIPTION                 | FIG. | PRICE / no VAT | Qty. | ORDER |
|-----------|-----------------------------|------|----------------|------|-------|
| 220265    | Shift shaft with pawl assy. | 27   | 99,88 €        | 1    |       |
| 239252    | Spring                      | 28   | 8,08 €         | 1    |       |
| 827261    | Washer Ø12,5/21,5/1         | 29   | 1,02 €         | 3    |       |
| 250302    | Retaining ring E12          | 30   | 3,00 €         | 1    |       |
| 250109    | Allen screw M6/20           | 31   | 0,30 €         | 1    |       |
| 248232    | Shift lever                 | 32   | 30,69 €        | 1    |       |
| 250303    | Allen screw M6/25           | 33   | 0,30 €         | 2    |       |
| 250208    | Washer M 6 N                | 34   | 0,30 €         | 1    |       |
| 248327    | Index lever assy.           | 35   | 54,58 €        | 1    |       |
| 250304    | Angular ring                | 36   | 10,66 €        | 1    |       |
| 239242    | Index spring                | 37   | 4,32 €         | 1    |       |
| 258210    | Index shim                  | 38   | 65,10 €        | 1    |       |
| 258226    | Shift drum assy.            | 39   | 306,00 €       | 1    |       |
| 258230    | Guide pin 92mm              | 40   | 12,31 €        | 2    |       |
| 258133    | Shift fork 5th/6th          | 41   | 82,11 €        | 1    |       |
| 258118    | Shift fork 1st/3rd          | 42   | 82,11 €        | 1    |       |
| 258128    | Shift fork 2nd/4th          | 43   | 82,11 €        | 1    |       |
| 250209    | Washer Ø8/14/0,5            | 44   | 0,12 €         | 1    |       |



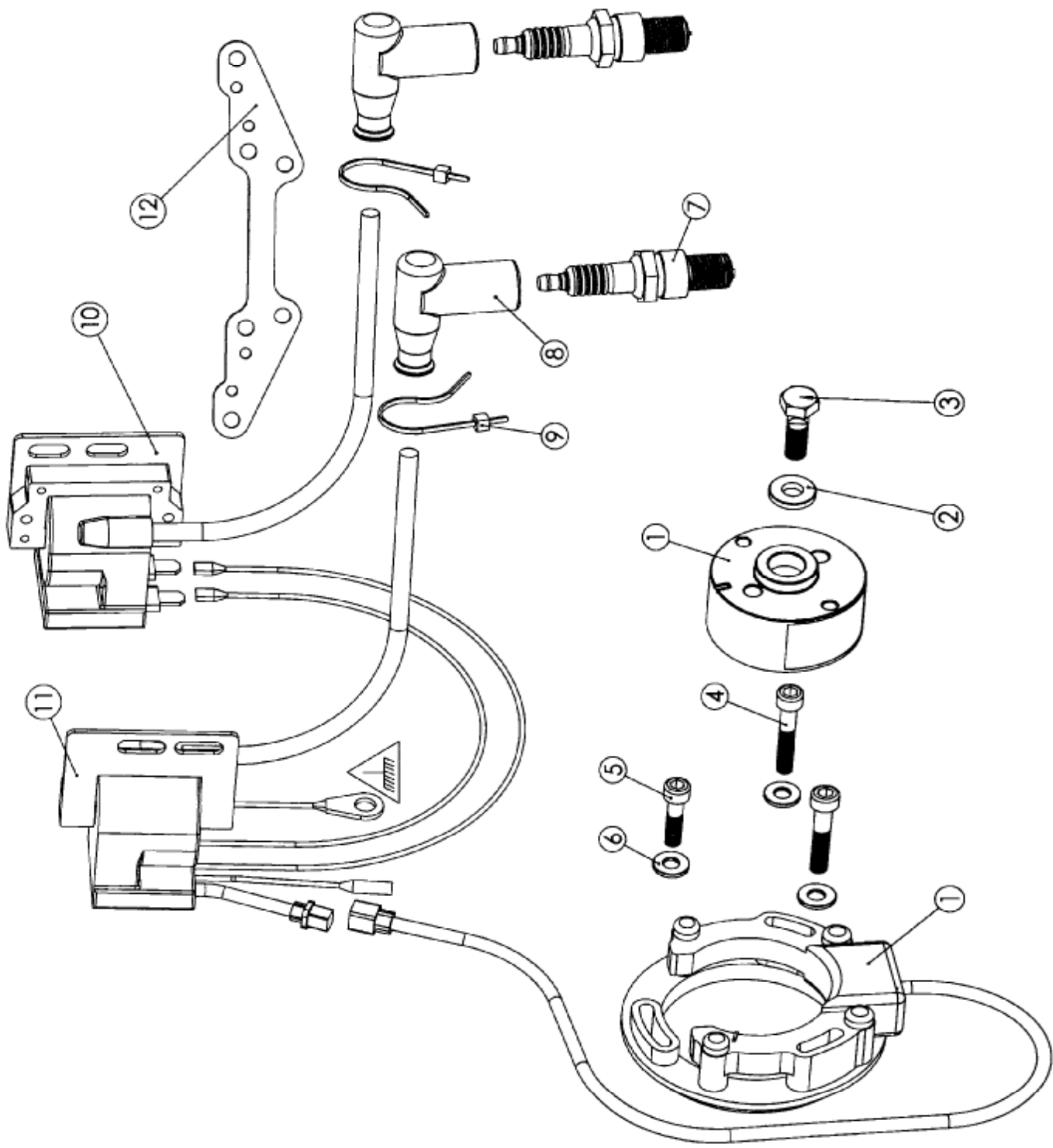
| REFERENCE | DESCRIPTION                 | FIG. | PRICE / no VAT | Qty. | ORDER |
|-----------|-----------------------------|------|----------------|------|-------|
| 250400    | Graduated spacer            | 1    | 68,00 €        | 1    |       |
| 232890    | Needle bearing K25/29/17 F  | 2    | 15,00 €        | 1    |       |
| 250401    | O-ring Ø20,3/2,4            | 3    | 0,72 €         | 1    |       |
| 235687    | Clutch gear                 | 4    | 280,50 €       | 1    |       |
| 227590    | Trust washer Ø20,2/35/1,5   | 5    | 1,54 €         | 1    |       |
| 259450    | Clutch drum                 | 6    | 281,91 €       | 1    |       |
| 250402    | Allen screw M5/16 12-9      | 7    | 0,12 €         | 6    |       |
| 259570    | Inner pressure plate        | 8    | 28,24 €        | 1    |       |
| 259558    | Clutch plate 1mm            | 9    | 7,40 €         | 2    |       |
| 259556    | Clutch plate 1,5mm          | 10   | 7,40 €         | 4    |       |
| 259990    | Sinterplate                 | 11   | 26,88 €        | 5    |       |
| 259064    | Clutch hub                  | 12   | 36,26 €        | 1    |       |
| 242605    | Hex. nut                    | 13   | 3,66 €         | 1    |       |
| 239745    | Clutch spring               | 14   | 2,56 €         | 6    |       |
| 259295    | Pressure ring               | 15   | 25,08 €        | 1    |       |
| 250411    | Washer Z 5 N                | 16   | 0,06 €         | 6    |       |
| 250403    | Hex. Screw HM5/30           | 17   | 0,15 €         | 6    |       |
| 250218    | O -ring Ø40/2               | 18   | 0,96 €         | 1    |       |
| 250405    | Retaining plate             | 19   | 21,42 €        | 1    |       |
| 250406    | Ball bearing 629 2RS C3     | 20   | 6,02 €         | 1    |       |
| 259300    | Thrust hub                  | 21   | 8,98 €         | 1    |       |
| 250412    | Clutch bracket              | 22   | 130,00 €       | 1    |       |
| 250109    | Allen screw CHc M6/20       | 23   | 0,09 €         | 3    |       |
| 250413    | Allen screw FHc M6/20       | 24   | 0,30 €         | 3    |       |
| 250414    | Hydraulic receiver          | 25   | 50,00 €        | 1    |       |
| 250415    | Seals receiver kit          | 26   | 6,00 €         | 1    |       |
| 250416    | Copper washer Ø 10,3/15,9/1 | 27   | 0,30 €         | 1    |       |
| 250417    | Hose                        | 28   | 18,00 €        | 1    |       |
| 250122    | Connection screw M8         | 29   | 4,86 €         | 1    |       |
| 250123    | Copper washer Ø 8,3/13,9/1  | 30   | 0,36 €         | 2    |       |
|           |                             |      |                |      |       |
|           | <b>Mechanical clutch</b>    |      |                |      |       |
| 259286    | Clutch bracket assy.        | 40   | 279,84 €       | 1    |       |
| 229352    | Clutch release pin          | 41   | 32,79 €        | 1    |       |
| 250407    | Needle bushing HK0808A      | 42   | 4,32 €         | 1    |       |
| 220032    | Clutch release shaft        | 43   | 38,57 €        | 1    |       |
| 250408    | Retaining ring 864 Ø8       | 44   | 6,54 €         | 1    |       |
| 944382    | Washer Ø12,1/18,5/0,5       | 45   | 0,75 €         | 1    |       |
| 250409    | Needle bushing HK1210B      | 46   | 4,32 €         | 1    |       |
| 239190    | Retaining spring            | 47   | 5,83 €         | 1    |       |
| 248301    | Clutch release lever        | 48   | 24,85 €        | 1    |       |
| 250109    | Allen screw M6/20           | 49   | 0,15 €         | 1    |       |



| REFERENCE | DESCRIPTION                          | FIG. | PRICE / no VAT | Qty. | ORDER |
|-----------|--------------------------------------|------|----------------|------|-------|
| 294220    | Rear crankshaft assy.                | 1    | 578,17 €       | 1    |       |
| 250505    | 1/2 rear crankshaft magneto side     | 0    | 314,00 €       | 1    |       |
| 294225    | Front crankshaft assy.               | 2    | 684,18 €       | 1    |       |
| 250504    | 1/2 front crankshaft magneto side    | 0    | 338,00 €       | 1    |       |
| 250506    | 1/2 crankshaft admission side        | 0    | 242,00 €       | 1    |       |
| 250501    | Ball Bearing 6205 ETN9 C4            | 3    | 11,55 €        | 4    |       |
| 224490    | Disk valve hub for rear crankshaft   | 4    | 37,81 €        | 1    |       |
| 224400    | Disk valve 162°                      | 5    | 21,15 €        | 2    |       |
| 224402    | Disk valve 170°                      | 5    | 21,15 €        | 2    |       |
| 242755    | Hex. nut LH                          | 6    | 6,48 €         | 1    |       |
| 242750    | Hex. nut                             | 7    | 6,48 €         | 1    |       |
| 224410    | Disk valve hub for front crankshaft  | 8    | 43,98 €        | 1    |       |
| 250502    | O-Ring Ø18,77/1,78                   | 9    | 0,93 €         | 1    |       |
| 246055    | Woodruf key 3/3,7                    | 10   | 1,00 €         | 2    |       |
| 227870    | Radius shim Ø26,3/38/1,25            | 11   | 4,48 €         | 2    |       |
| 227871    | Radius shim Ø26,3/38/1,5             | 11   | 4,48 €         | 2    |       |
| 227872    | Radius shim Ø26,3/38/1,75            | 11   | 4,48 €         | 2    |       |
| 235678    | Tandem gear for rear crankshaft      | 12   | 283,05 €       | 1    |       |
| 235983    | Tandem gear for front crankshaft     | 13   | 265,20 €       | 1    |       |
| 250503    | Washer Ø22,4/36/2,5                  | 14   | 4,60 €         | 2    |       |
| 250507    | Hex nut for rear crankshaft          | 15   | 58,12 €        | 1    |       |
| 842234    | Hex nut for front crankshaft         | 16   | 4,40 €         | 1    |       |
| 250508    | Crankshaft repair kit                | 17   | 200,00 €       | 2    |       |
|           |                                      |      |                |      |       |
|           | <b>OPTIONS</b>                       |      |                |      |       |
| 250509    | Carbon disk valve                    | 5C   | 41,60 €        | 2    |       |
| 224410C   | Front carbon disk valve hub          | 8C   | 60,98 €        | 1    |       |
| 224490C   | Rear carbon disk valve hub           | 4C   | 54,81 €        | 1    |       |
| 242750C   | Hex. nut for front carbon disk valve | 7C   | 22,51 €        | 1    |       |
| 242755C   | Hex. nut for rear carbon disk valve  | 6C   | 22,51 €        | 1    |       |
| 250510    | Carbon disk valves on new engine     |      | 400,00 €       | 1    |       |
| 250511    | Carbon disk valves complete kit      |      | 775,00 €       | 1    |       |
| 250512    | Wrench for hex. nut                  |      | 14,00 €        | 1    |       |
|           |                                      |      |                |      |       |

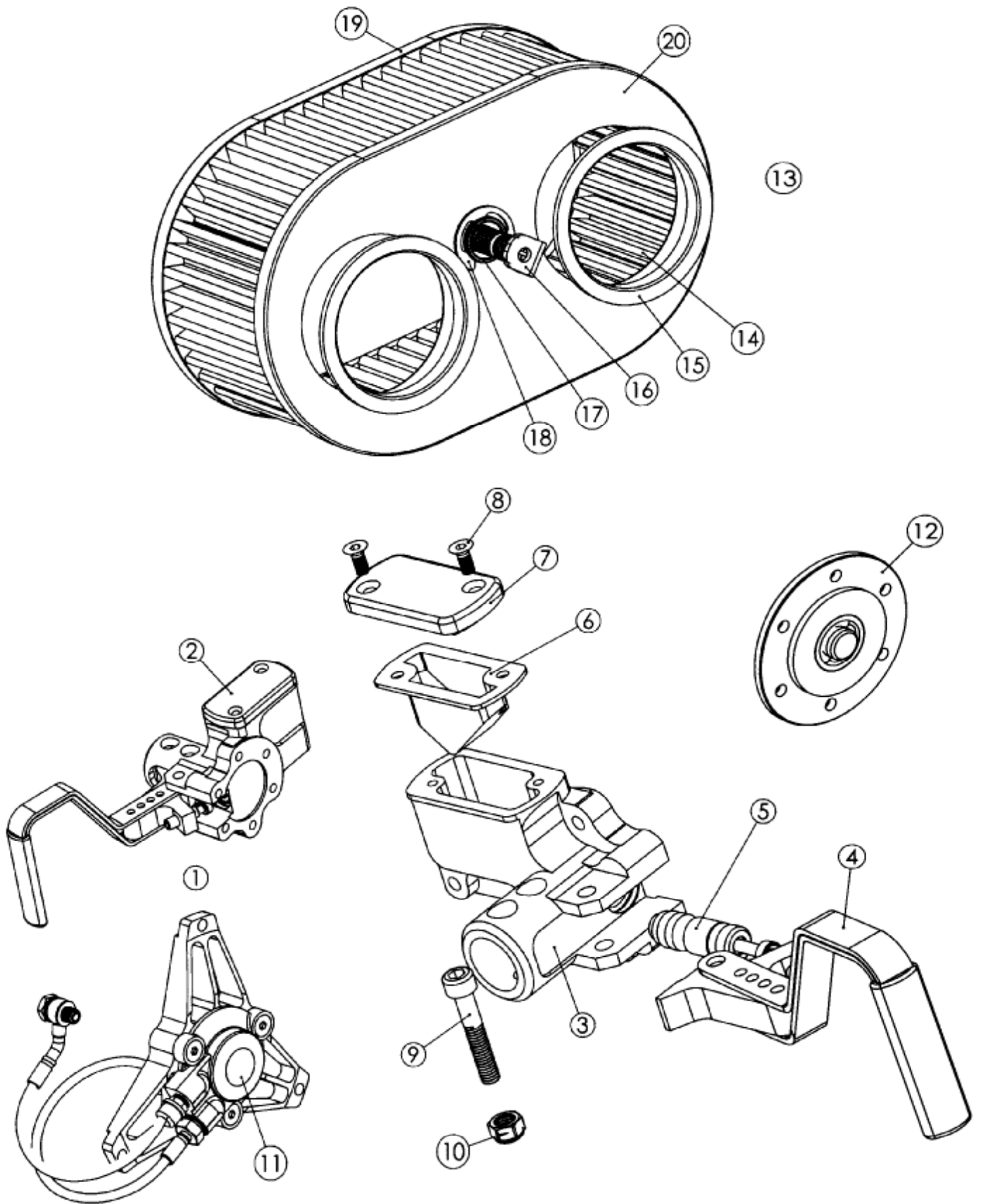


| REFERENCE | DESCRIPTION                  | FIG. | PRICE / no VAT | Qty. | ORDER |
|-----------|------------------------------|------|----------------|------|-------|
| 250601    | Nikasil cylinder             | 1    | 754,88 €       | 2    |       |
| 250602    | Piston pin                   | 2    | 9,52 €         | 2    |       |
| 250603    | Needle cage Ø15/19/20        | 3    | 8,33 €         | 2    |       |
| 250604    | Piston assy .                | 4    | 99,42 €        | 2    |       |
| 250605    | Circlips                     | 5    | 0,52 €         | 4    |       |
| 250606    | Rectangular ring             | 6    | 28,73 €        | 2    |       |
| 650070    | Gasket 0,2 mm                | 7    | 4,00 €         | 2    |       |
| 650071    | Gasket 0,3 mm                | 7    | 4,00 €         | 2    |       |
| 650072    | Gasket 0,4 mm                | 7    | 4,00 €         | 2    |       |
| 650073    | Gasket 0,5 mm                | 7    | 4,00 €         | 2    |       |
| 650074    | Gasket 0,6 mm                | 7    | 4,50 €         | 2    |       |
| 650075    | Gasket 0,8 mm                | 7    | 4,50 €         | 2    |       |
| 250607    | Exhaust socket               | 8    | 44,54 €        | 2    |       |
| 224250    | Spring bracket               | 9    | 1,42 €         | 2    |       |
| 250609    | Allen screw M6/15            | 10   | 0,23 €         | 10   |       |
| 250630    | Exhaust slide valve          | 11   | 48,54 €        | 2    |       |
| 249029    | Thread sleeve M6             | 12   | 7,75 €         | 2    |       |
| 247580    | Distance ring Ø12,1/14,7/2   | 13   | 1,45 €         | 2    |       |
| 250610    | O-ring Ø6/3                  | 14   | 0,39 €         | 2    |       |
| 250611    | Washer Ø6/12/1               | 15   | 0,21 €         | 2    |       |
| 239944    | Compression spring           | 16   | 2,08 €         | 2    |       |
| 250651    | Gasket                       | 17   | 2,56 €         | 2    |       |
| 253695    | Valve rod housing            | 18   | 79,05 €        | 2    |       |
| 250207    | Lock nut M6                  | 19   | 0,12 €         | 2    |       |
| 227900    | Washer Ø6,2/20/2             | 20   | 1,56 €         | 4    |       |
| 253250    | Valve piston                 | 21   | 11,27 €        | 2    |       |
| 242771    | Hex. Nut M6                  | 22   | 0,99 €         | 2    |       |
| 253247    | Valve rod                    | 23   | 12,65 €        | 2    |       |
| 260721    | Bellows                      | 24   | 21,69 €        | 2    |       |
| 250612    | Clamp 20 mm                  | 25   | 0,06 €         | 2    |       |
| 250613    | Clamp 60 mm                  | 26   | 0,15 €         | 2    |       |
| 250614    | Allen screw M6/35            | 27   | 1,50 €         | 12   |       |
| 250615    | Tube                         | 28   | 5,10 €         | 2    |       |
| 250616    | Cylinder head                | 29   | 120,70 €       | 2    |       |
| 250617    | O-ring Ø92/2                 | 30   | 2,52 €         | 2    |       |
| 250618    | Allen screw M8/50            | 31   | 5,40 €         | 8    |       |
| 250619    | O-ring Ø62/2                 | 32   | 3,18 €         | 2    |       |
|           |                              |      |                |      |       |
| 250631    | Complete exhaust slide valve |      | 190,56 €       | 2    |       |
|           |                              |      |                |      |       |
|           | <b>OPTIONS</b>               |      |                |      |       |
| 250622    | Head cover for head insert   | 33   | 142,00 €       | 2    |       |
| 250620    | O-ring Ø 23/3                | 34   | 1,14 €         | 2    |       |
| 250621    | Head insert                  | 35   | 116,90 €       | 2    |       |

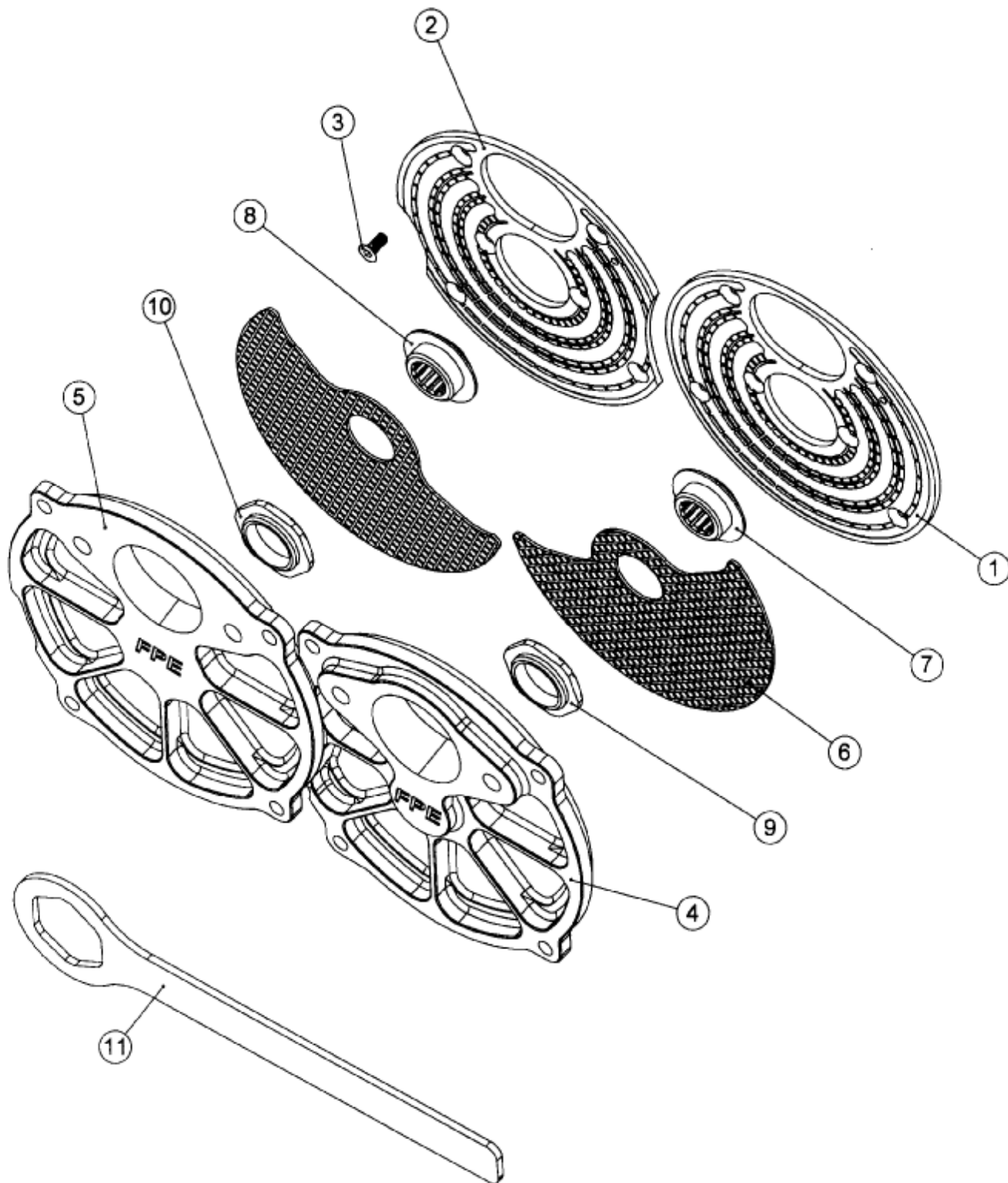




| REFERENCE | DESCRIPTION             | FIG. | PRICE / no VAT | Qty. | ORDER |
|-----------|-------------------------|------|----------------|------|-------|
| 250700    | Complete ignition       |      | 512,00 €       | 1    |       |
| 250701    | Rotor with stator assy, | 1    | 192,00 €       | 1    |       |
| 250702    | Washer Ø8 large         | 2    | 3,00 €         | 1    |       |
| 250703    | Hex. Screw M8-25        | 3    | 3,00 €         | 1    |       |
| 250704    | Allen screw M5-40       | 4    | 3,00 €         | 2    |       |
| 250705    | Allen screw M5-25       | 5    | 1,50 €         | 1    |       |
| 250706    | Washer MU 5 Zn          | 6    | 0,21 €         | 3    |       |
| 250707    | Spark plug              | 7    | 22,40 €        | 2    |       |
| 250708    | Spark plug connector    | 8    | 12,66 €        | 2    |       |
| 250709    | Clamp                   | 9    | 3,00 €         | 2    |       |
| 250710    | Slave ignition coil     | 10   | 75,00 €        | 1    |       |
| 250711    | Master ignition coil    | 11   | 300,96 €       | 1    |       |
| 250712    | Coils bracket           | 12   | 21,00 €        | 1    |       |
|           |                         |      |                |      |       |
|           |                         |      |                |      |       |

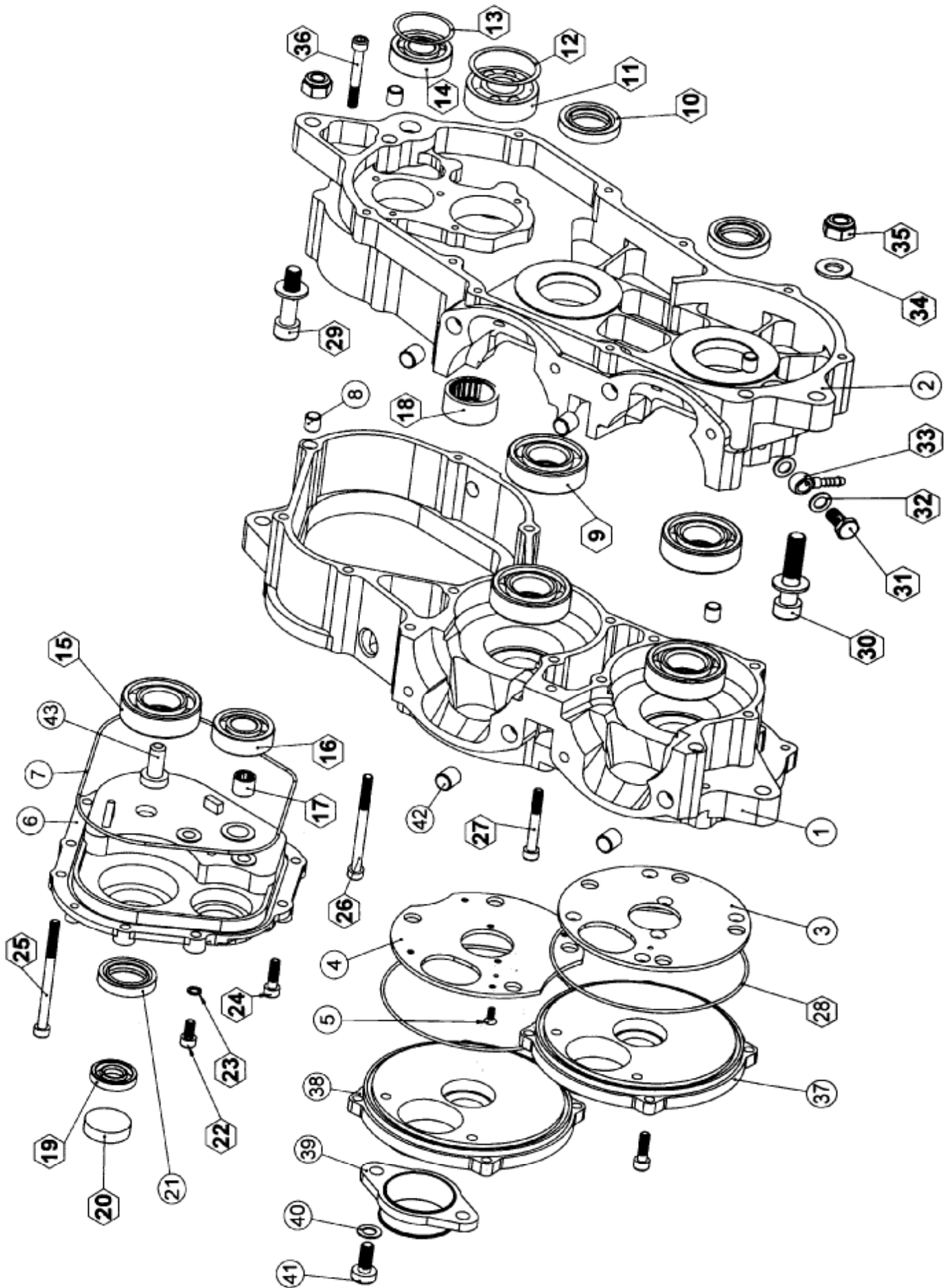


| REFERENCE | DESCRIPTION                               | FIG. | PRICE / no VAT | Qty. | ORDER |
|-----------|---|------|----------------|------|-------|
| 250800    | Complete hydraulic clutch kit (Fig. 2+11) | 1    | 450,50 €       | 1    |       |
| 250801    | Complete master cylinder                  | 2    | 280,50 €       | 1    |       |
| 250802    | Master cylinder                           | 3    | 193,80 €       | 1    |       |
| 250803    | Lever                                     | 4    | 59,50 €        | 1    |       |
| 250804    | Spare seals set                           | 5    | 15,00 €        | 1    |       |
| 250805    | Bellows                                   | 6    | 8,00 €         | 1    |       |
| 250806    | Cover                                     | 7    | 10,00 €        | 1    |       |
| 250807    | Allen screw FHc M4x12                     | 8    | 0,15 €         | 2    |       |
| 250808    | Allen screw CHc M6x35                     | 9    | 0,24 €         | 1    |       |
| 250207    | Lock nut M6                               | 10   | 0,15 €         | 1    |       |
| 250810    | Complete clutch basket                    | 11   | 170,00 €       | 1    |       |
| 250820    | Complete clutch thrust                    | 12   | 62,00 €        | 1    |       |
| 250830    | Air filter kit                            | 13   | 180,00 €       | 1    |       |
| 250831    | Spare filter                              | 14   | 55,72 €        | 1    |       |
| 250832    | Carb, socket                              | 15   | 19,80 €        | 2    |       |
| 250833    | Spring + bracket                          | 16   | 8,00 €         | 1    |       |
| 250834    | Spacer                                    | 17   | 15,24 €        | 1    |       |
| 250835    | Truarc clips E20                          | 18   | 2,00 €         | 2    |       |
| 250836    | Front cover                               | 19   | 38,00 €        | 1    |       |
| 250837    | Rear cover                                | 20   | 44,00 €        | 1    |       |
|           |   |      |                |      |       |
|           |   |      |                |      |       |

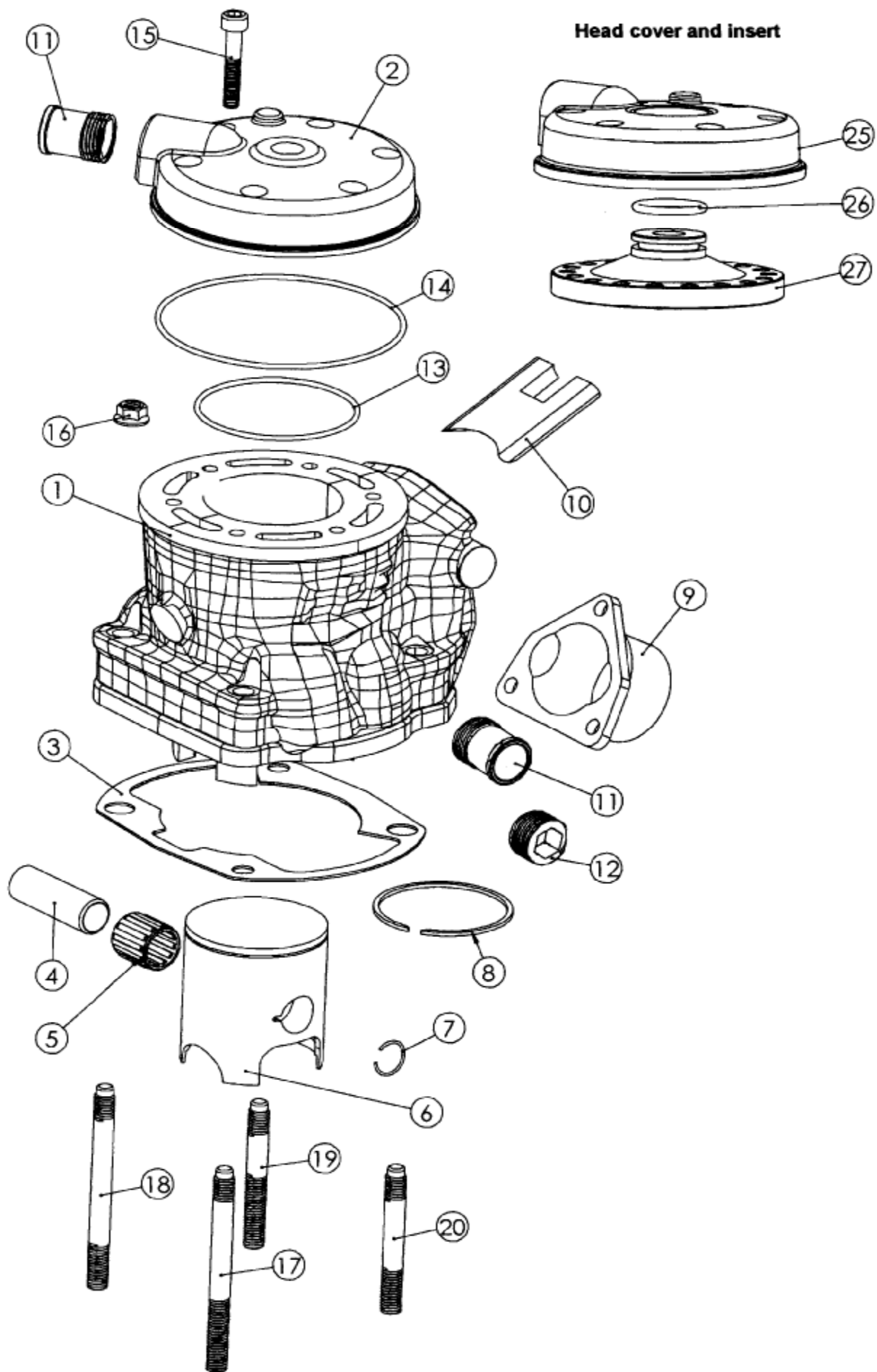


## CARBON DISK VALVES OPTION

| REFERENCE | DESCRIPTION                             | FIG. | PRICE / no VAT | Qty. | ORDER |
|-----------|---|------|----------------|------|-------|
| 250511    | Carbon disk valves complete kit         |      | 775,00 €       |      |       |
| 250510    | Carbon disk valves on new engine        |      | 400,00 €       |      |       |
| 250103C   | Disk valve plate for front carbon valve | 1    | 142,80 €       |      |       |
| 250104C   | Disk valve plate for rear carbon valve  | 2    | 142,80 €       |      |       |
| 250105    | Allen screw FHC M4/10                   | 3    | 0,09 €         |      |       |
| 210462C   | Disk valve cover for front carbon valve | 4    | 241,98 €       |      |       |
| 210466C   | Disk valve cover for rear carbon valve  | 5    | 241,98 €       |      |       |
| 250509C   | Carbon disk valve                       | 6    | 41,60 €        |      |       |
| 224410C   | Front carbon disk valve hub             | 7    | 60,98 €        |      |       |
| 224490C   | Rear carbon disk valve hub              | 8    | 54,81 €        |      |       |
| 242750C   | Hex. nut for front carbon disk valve    | 9    | 22,51 €        |      |       |
| 242755C   | Hex. nut for rear carbon disk valve     | 10   | 22,51 €        |      |       |
| 250512    | Wrench for hex, nut                     | 11   | 14,00 €        |      |       |
|           |   |      |                |      |       |
|           |   |      |                |      |       |

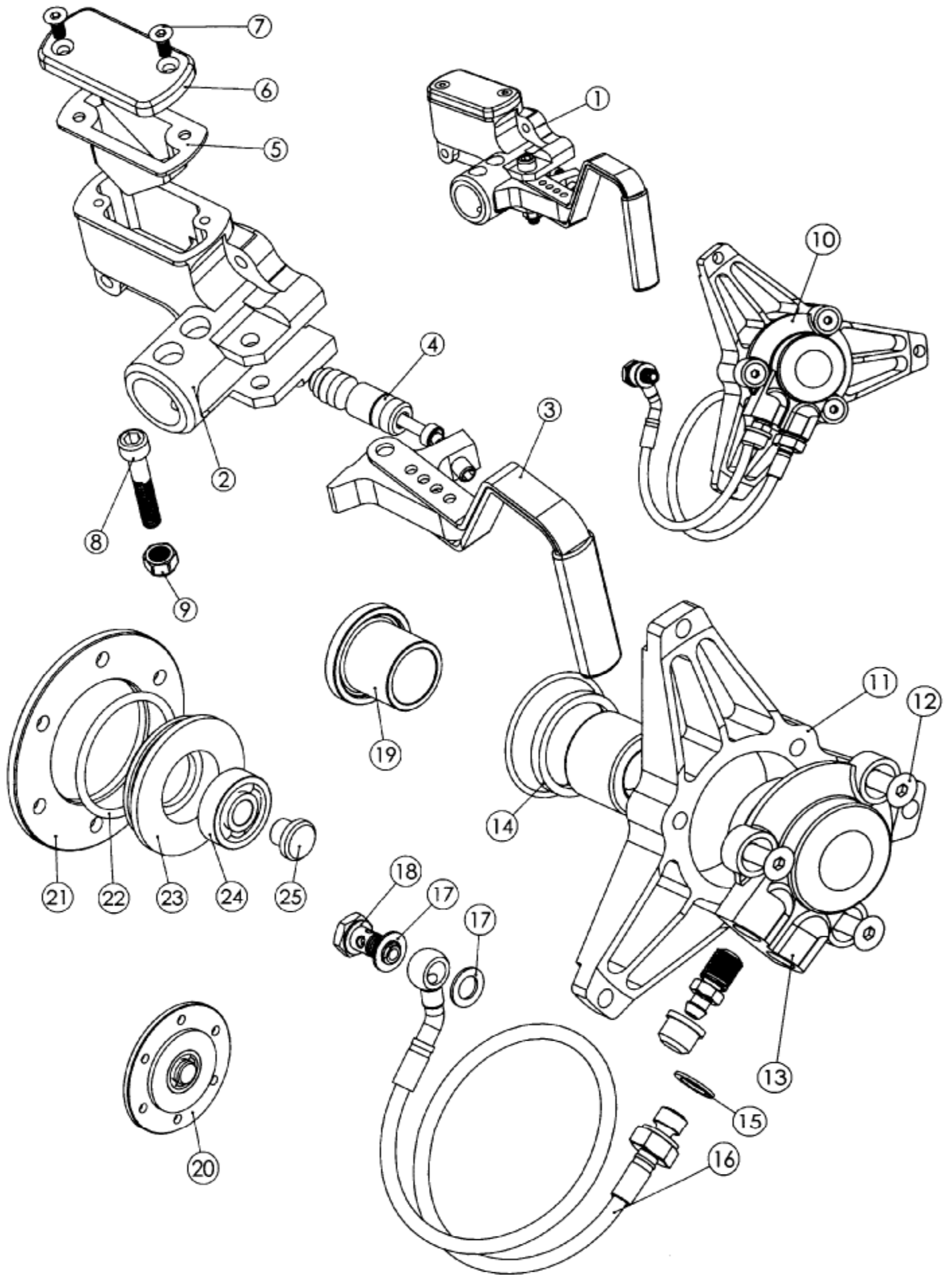


| REFERENCE | DESCRIPTION                                   | FIG. | PRICE / no VAT | Qty. | ORDER |
|-----------|---|------|----------------|------|-------|
| 256100    | Set of crankcases (fig. 1 to 8)               |      | 3 504,08 €     | 1    |       |
| 256101    | Set bearings, seals and screws (fig. 9 to 36) |      | 133,06 €       | 1    |       |
| 256102    | Crankcase admission side                      | 1    | 1 816,50 €     | 1    |       |
| 256103    | Crankcase tandem side                         | 2    | 1 929,00 €     | 1    |       |
| 256104    | Disk valve plate for front valve              | 3    | 13,12 €        | 1    |       |
| 256105    | Disk valve plate for rear valve               | 4    | 13,12 €        | 1    |       |
| 250105    | Allen screw FHc M4/10                         | 5    | 0,09 €         | 12   |       |
| 256106    | Gear box cover                                | 6    | 450,78 €       | 1    |       |
| 256107    | O-ring Ø 125/2                                | 7    | 3,00 €         | 1    |       |
| 229145    | Dowel Ø 9,8/10                                | 8    | 3,16 €         | 4    |       |
| 250501    | Ball bearing 6205 ETN9 C4                     | 9    | 11,55 €        | 4    |       |
| 230395    | Oil seal Ø 25/40/7                            | 10   | 6,75 €         | 2    |       |
| 256108    | Ball bearing 6204 2RS TVH C3                  | 11   | 10,84 €        | 1    |       |
| 256109    | Shim Ø 40/46,5/0,5                            | 12   | 1,35 €         | 1    |       |
| 250112    | Shim Ø 34/39,5/0,5                            | 13   | 0,99 €         | 1    |       |
| 256110    | Ball bearing 6203 2RS TVH C3                  | 14   | 11,54 €        | 1    |       |
| 250113    | Ball bearing 6205 C3                          | 15   | 7,70 €         | 1    |       |
| 250111    | Ball bearing 6203 TVH C3                      | 16   | 12,00 €        | 1    |       |
| 256111    | Needle bushing HK 1012 B                      | 17   | 5,72 €         | 1    |       |
| 256112    | Needle bushing HK 2816B                       | 18   | 8,88 €         | 1    |       |
| 256113    | Oil seal Ø 15/24/7                            | 19   | 5,80 €         | 1    |       |
| 256114    | Cap   | 20   | 9,00 €         | 1    |       |
| 250116    | Oil seal Ø 25/38/7                            | 21   | 3,70 €         | 1    |       |
| 250118    | Allen screw CHc M6/12                         | 22   | 0,15 €         | 1    |       |
| 250119    | Copper washer Ø 6,2/9/1                       | 23   | 0,30 €         | 1    |       |
| 250109    | Allen screw CHc M 6/20                        | 24   | 0,09 €         | 16   |       |
| 256115    | Allen screw CHc M 6/90                        | 25   | 0,27 €         | 2    |       |
| 256116    | Allen screw CHc M 6/70                        | 26   | 0,18 €         | 11   |       |
| 256117    | Allen screw CHc M 6/60                        | 27   | 0,12 €         | 1    |       |
| 250106    | Oil seal Ø 114/2                              | 28   | 2,16 €         | 2    |       |
| 250128    | Allen screw CHc M10/40                        | 29   | 0,48 €         | 2    |       |
| 250125    | Allen screw CHc M10/50                        | 30   | 0,60 €         | 2    |       |
| 250122    | Banjo M8                                      | 31   | 4,86 €         | 1    |       |
| 250123    | Rondelle Cu Ø 8,5/14/1                        | 32   | 0,36 €         | 2    |       |
| 250124    | Adapter Ø 8                                   | 33   | 2,74 €         | 1    |       |
| 250126    | Washer M 10 N                                 | 34   | 0,09 €         | 6    |       |
| 250127    | Lock nut M10                                  | 35   | 0,15 €         | 4    |       |
| 250213    | Allen screw CHc M 6/35                        | 36   | 0,15 €         | 2    |       |
| 210462    | Disk valve cover for front valve              | 37   | 272,61 €       | 1    |       |
| 210466    | Disk valve cover for rear valve               | 38   | 255,00 €       | 1    |       |
| 824036    | Rubber flange                                 | 39   | 38,88 €        | 2    |       |
| 250108    | Washer M 8 N                                  | 40   | 0,12 €         | 4    |       |
| 440091    | Allen screw M8/20 DIN 7984                    | 41   | 3,87 €         | 4    |       |
| 229150    | Dowel Ø 11,8/15                               | 42   | 4,00 €         | 4    |       |
| 256118    | Pin   | 43   | 9,00 €         | 1    |       |





| REFERENCE | DESCRIPTION  | FIG. | PRICE / no VAT | Qty. | ORDER |
|-----------|--|------|----------------|------|-------|
| 256200    | <b>FPE cylinders kit for ROTAX 256</b>   |      | 2 285,00 €     | 1    |       |
|           | included: 2 cylinders, 2 pistons,<br>2 heads, 2 exhaust sockets,<br>2 slide valves, O-ring and gaskets |      |                |      |       |
| 256201    | Fpe cylinder for ROTAX 256   | 1    | 754,88 €       | 2    |       |
| 250616    | Cylinder head  | 2    | 120,70 €       | 2    |       |
| 256202    | Gasket 0,2 mm  | 3    | 4,00 €         | 2    |       |
| 256203    | Gasket 0,3 mm  | 3    | 4,00 €         | 2    |       |
| 256204    | Gasket 0,4 mm  | 3    | 4,00 €         | 2    |       |
| 256205    | Gasket 0,5 mm  | 3    | 4,00 €         | 2    |       |
| 256206    | Gasket 0,6 mm  | 3    | 4,50 €         | 2    |       |
| 256208    | Gasket 0,8 mm  | 3    | 4,50 €         | 2    |       |
| 256210    | Gasket 1,0 mm  | 3    | 4,50 €         | 2    |       |
| 256212    | Gasket 1,2 mm  | 3    | 4,50 €         | 2    |       |
| 250602    | Piston pin   | 4    | 9,52 €         | 2    |       |
| 250603    | Needle cage Ø15/19/20  | 5    | 8,33 €         | 2    |       |
| 250604    | Piston assy . (113 mm configuration)   | 6    | 99,42 €        | 2    |       |
| 256215    | Piston assy . (110 mm configuration)   | 6    | 99,42 €        | 2    |       |
| 250605    | Circlips   | 7    | 0,52 €         | 4    |       |
| 250606    | Rectangular ring   | 8    | 28,73 €        | 2    |       |
| 250607    | Exhaust socket   | 9    | 44,54 €        | 2    |       |
| 250630    | Exhaust slide valve  | 10   | 48,54 €        | 2    |       |
| 250615    | Tube   | 11   | 5,10 €         | 2    |       |
| 256216    | Plug screw M 20x1,50   | 12   | 6,00 €         | 2    |       |
| 250619    | O-ring Ø 62/2  | 13   | 3,18 €         | 2    |       |
| 250617    | O-ring Ø 92/2  | 14   | 2,52 €         | 2    |       |
| 250614    | Allen screw M 6/35   | 15   | 1,50 €         | 12   |       |
| 256217    | Hex, nut M 8   | 16   | 3,00 €         | 8    |       |
| 256218    | Stud M8 / 90-33  | 17   | 6,50 €         | 2    |       |
| 256219    | Stud M8 / 90-21  | 18   | 6,50 €         | 2    |       |
| 256220    | Stud M8 / 65-33  | 19   | 5,50 €         | 2    |       |
| 256221    | Stud M8 / 65-21  | 20   | 5,50 €         | 2    |       |
|           |  |      |                |      |       |
|           | <b>OPTIONS</b>   |      |                |      |       |
| 250622    | Head cover for head insert   | 25   | 142,00 €       | 2    |       |
| 250620    | O-ring Ø23/3   | 26   | 1,14 €         | 2    |       |
| 250621    | Head insert  | 27   | 116,90 €       | 2    |       |
|           |  |      |                |      |       |



| REFERENCE | DESCRIPTION                              | FIG. | PRICE / no VAT | Qty. | ORDER |
|-----------|--|------|----------------|------|-------|
| 250800    | Complete hydraulic clutch kit (Fig.1+10) |      | 450,50 €       | 1    |       |
| 250801    | Complete master cylinder                 | 1    | 280,50 €       |      |       |
| 250802    | Master cylinder                          | 2    | 193,80 €       | 1    |       |
| 250803    | Lever                                    | 3    | 59,50 €        | 1    |       |
| 250804    | Spare seals set                          | 4    | 15,00 €        | 1    |       |
| 250805    | Bellows                                  | 5    | 8,00 €         | 1    |       |
| 250806    | Cover                                    | 6    | 10,00 €        | 1    |       |
| 250807    | Allen screw FHc M4x12                    | 7    | 0,15 €         | 2    |       |
| 250808    | Allen screw CHc M6x35                    | 8    | 0,24 €         | 1    |       |
| 250207    | Lock nut M6                              | 9    | 0,15 €         | 1    |       |
| 250810    | Complete clutch basket                   | 10   | 170,00 €       | 1    |       |
| 250412    | Clutch bracket                           | 11   | 130,00 €       | 1    |       |
| 250413    | Allen screw FHc M6x20                    | 12   | 0,30 €         | 2    |       |
| 250414    | Hydraulic receiver                       | 13   | 50,00 €        | 1    |       |
| 250415    | Spare seals set                          | 14   | 6,00 €         | 1    |       |
| 250416    | Copper washer Ø 10,3/15,9/1              | 15   | 0,30 €         | 1    |       |
| 250417    | Hose                                     | 16   | 18,00 €        | 1    |       |
| 250122    | Copper washer Ø 8,3/13,9/1               | 17   | 0,36 €         | 2    |       |
| 250123    | Connection screw M8                      | 18   | 4,86 €         | 1    |       |
| 247890    | Graduated spacer                         | 19   | 68,00 €        | 1    |       |
| 250820    | Complete clutch thrust                   | 20   | 62,00 €        | 1    |       |
| 259295    | Pressure ring                            | 21   | 25,08 €        | 1    |       |
| 250218    | O-ring Ø 40/2                            | 22   | 0,96 €         | 1    |       |
| 250405    | Retaining plate                          | 23   | 21,42 €        | 1    |       |
| 250406    | Ball bearing 629 2RS C3                  | 24   | 6,02 €         | 1    |       |
| 259300    | Thrust hub                               | 25   | 8,98 €         | 1    |       |